

## GEAR PUMP

# Installation & Maintenance Manual

### APPLICATION:

General purpose use. Be widely used in bilge water, sewage water and wash down deck and so on.

### FEATURES:

Ignition protection

Thermally protected motor

Bilge pump standard

CE certificated

Small bilge debris present no problem to these brass bodied, flexible impeller pumps.

Can generate pressures up to 2 bar (30psi)

Connections: for 9.52 mm bore hose or 3/8" FNPT

Fuse Size: 15AMP

Output: 12 liter/minute (3.2 gallons/minute)

Self priming up to 3m (10ft) vertical lift.

### TECHNICAL DATA:

Model	Volt (V)	Flow (lpm/gpm)	Max.lift (m)	Amp Draw(A)	Max Draw(A)	Packing Size (mm)	N.W./G.W. (kg)	Packing Size (mm)/ctn	Connector Model
SFGP1-032-003-01	12	12.0/3.2	5	7	10	195*130*108	2.40/2.42	550*213*245	3/8" FNPT
SFGP2-032-003-01	24	12.0/3.2	5	4	6	195*130*108	2.40/2.42	550*213*245	3/8" FNPT

### WARNING:

If the fuse fails repeatedly do not fit a heavier fuse or bridge the fuse terminals with silver paper or metal wire.

Failure to observe this instruction may result in a fire hazard due to overheating of cables.

### WARNING:

All marine pumps discharging overboard must be installed with the overboard discharge well above both static and heeled waterlines.

### Caution: Explosion Hazard

Do not pump gasoline, solvents, thinners, highly concentrated or organic acids.

Explosion or death may occur.

### Caution: Dry Running

Do not run dry for more than 30 seconds. Lack of liquid will burn the impeller and damage the seals.

## INSTALLATION INSTRUCTIONS:

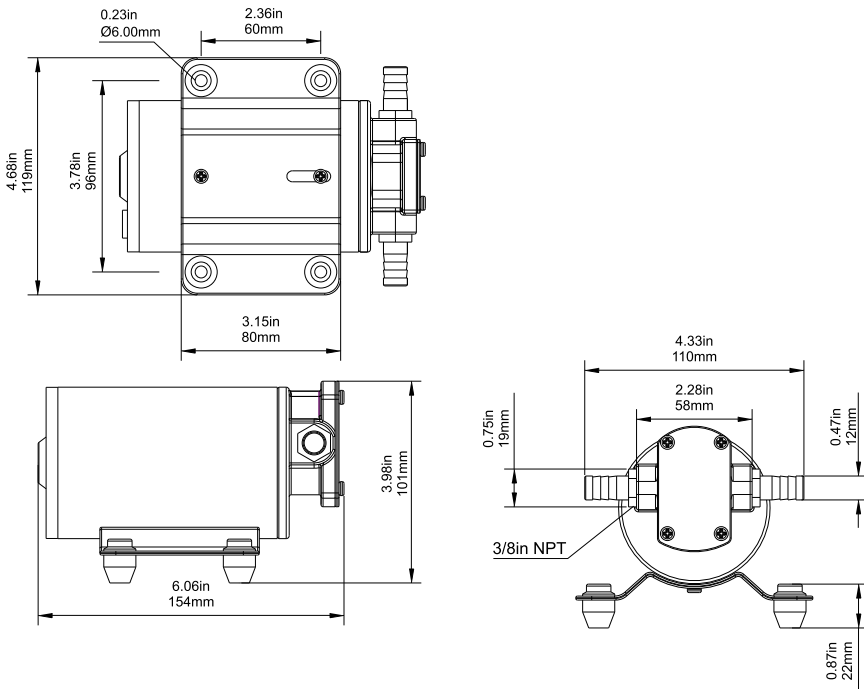
SEAFLO Self-priming bilge pump can be mounted on any flat surface. Fit the pump in an dry, well ventilated position where there is full access for service. If installed in a vertical position the motor must be above the pump head. Use the rubber grommets provided to minimize vibration, do not overtighten the mounting screws. It is better to work with a bilge control panel to avoid running dry.

Secure 9.52 mm (3/8" FNPT) id hose direct to the discharge ports using stainless steel hose clamps. Use spiral reinforced hose (with a smooth internal bore) that will not collapse under suction, or rigid or semi rigid pipework systems. The pipework must be compatible with the liquid being pumped. Pipe runs should be kept as straight and short as possible. Avoiding rising and dipping over avoiding rising and dipping over obstructions. Fit a strainer on the inlet hose to prevent larger debris from entering the pump.

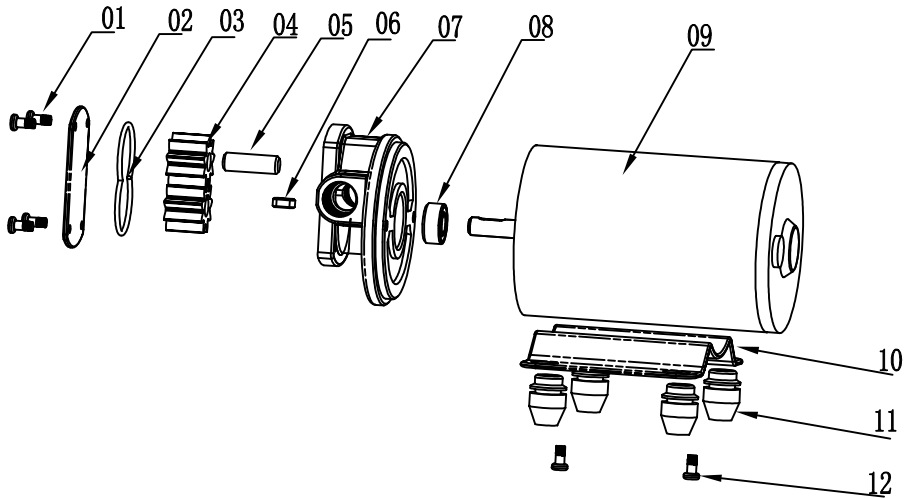
## WIRING INSTRUCTIONS

Make sure all electrical connections in dry locations, connections in humid environments should be sealed to prevent corrosion. Protect the circuit with a correctly rated fuse or circuit breaker in the red positive (+) lead as close as possible to the power source. Connect the black motor wire to the negative (-) battery terminal. Adequate voltage at the motor terminals when the pump is running due to partially discharged batteries or insufficient cable size may result in blowing fused, failure to start or poor pump performance.

## DIMENSIONAL DRAWING



# EXPLDE DRAWING



PARTS LIST		
NUMBER	DESCRIPTION	QUANTITY
1	SCREW	4
2	STAINLESS STEEL SHEEL	1
3	O-RING	1
4	GEAR	2
5	GEAR FIXED SHAFT	1
6	GEAR RETAINER	1
7	PUMP HEAD	1
8	OIL-SEAL	1
9	MOTOR	1
10	MOTOR BASE	1
11	RUBBER FOOT	4
12	SCREW	2

**SEAFLO<sup>®</sup>**